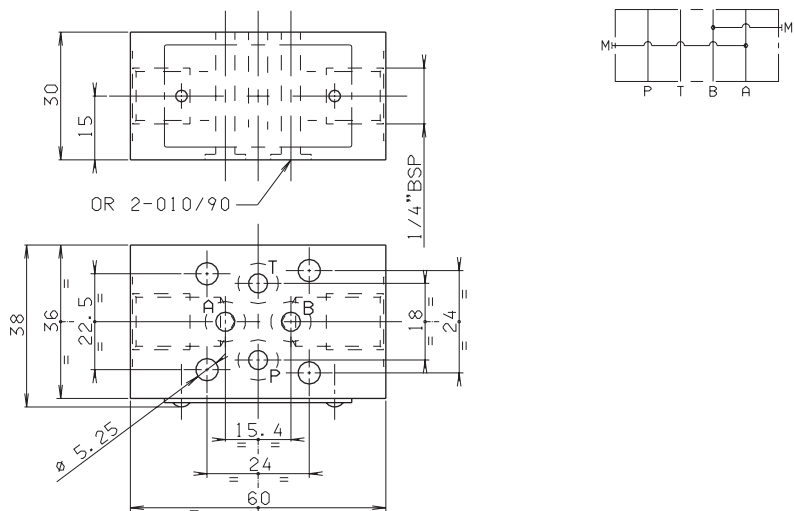


BC.2.50.AB INTERMEDIATE MODULE FOR PRESSURE GAUGE CONNECTION (VENTS A AND B LINES)

- BC** Module base
- 2** CETOP 2/NG4
- 50** Intermediate module for pressure gauge connection
- AB** Check at ports A and B
- 00** No variant
- 1** Serial No.

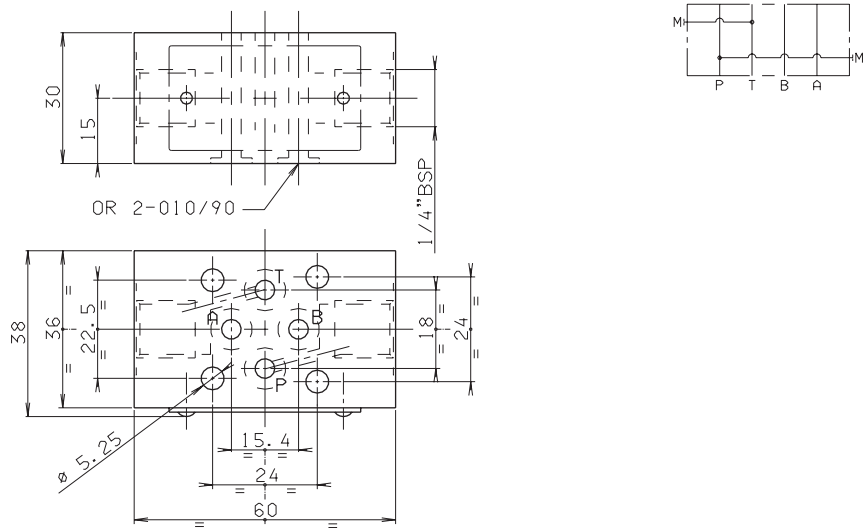
Weight: 0,4 Kg



BC.2.50.PT INTERMEDIATE MODULE FOR PRESSURE GAUGE CONNECTION (VENTS P AND T LINES)

- BC** Module base
- 2** CETOP 2/NG4
- 50** Intermediate module for pressure gauge connection
- PT** Check at ports P and T
- 00** No variant
- 1** Serial No.

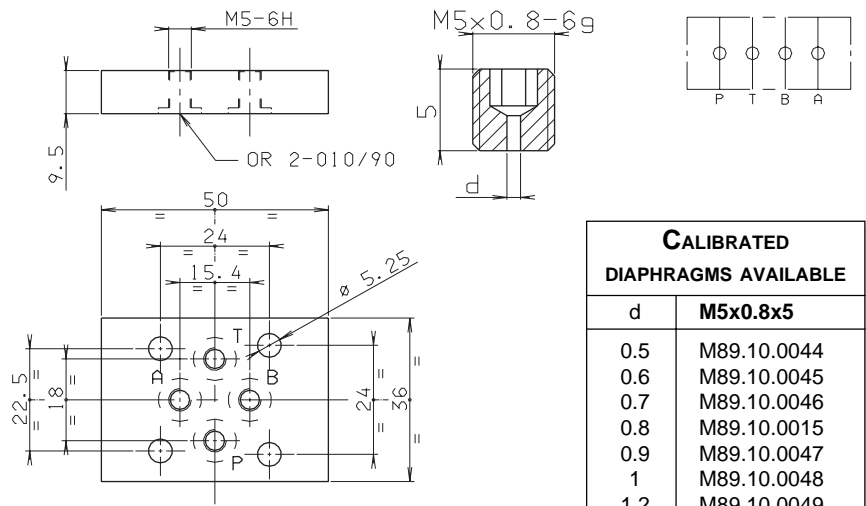
Weight: 0,4 Kg



BC.2.51 DOWEL CARRIER PLATE FOR SOLENOID VALVE

- BC** Module base
- 2** CETOP 2/NG4
- 51** Dowel carrier plate for solenoid valve
- 00** No variant
- 1** Serial No.

Weight: 0,05 Kg



CALIBRATED DIAPHRAGMS AVAILABLE	
d	M5x0.8x5
0.5	M89.10.0044
0.6	M89.10.0045
0.7	M89.10.0046
0.8	M89.10.0015
0.9	M89.10.0047
1	M89.10.0048
1.2	M89.10.0049

7