



# AD.3.L... LEVER OPERATED CETOP 3/NG6



Max. pressure ports P/A/B	320 bar
Max. pressure port T	160 bar
Max. flow	60 l/min
Lever angle	2 x 17°
Fluid viscosity	10 ÷ 500 mm <sup>2</sup> /s
Fluid temperature	-25°C ÷ 75°C
Ambient temperature	-25°C ÷ 60°C
Max. contamination level	class 10 in accordance with NAS 1638 with filter $\beta_{25} \geq 75$
Weight	1,2 Kg
Weight M1 variant	1,8 Kg

AD.3.L...

STANDARD SPOOLS

CH. I PAGE 10

### ORDERING CODE

- AD** Directional valve
- 3** CETOP 3/NG6
- L** Lever operation
- \*\*** Spool type (see table1)  
Spool symbol see page I•10
- \*** Mounting type (see table 2)
- \*** **Z** = Valve with lever  
**X** = Valve without lever
- \*** Variants (see table 3)
- 4** Serial No.

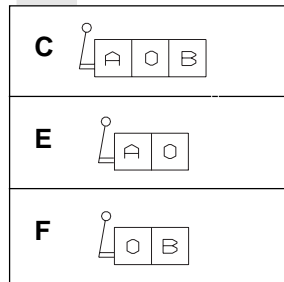
### TAB.1

#### SPOOLS TYPE

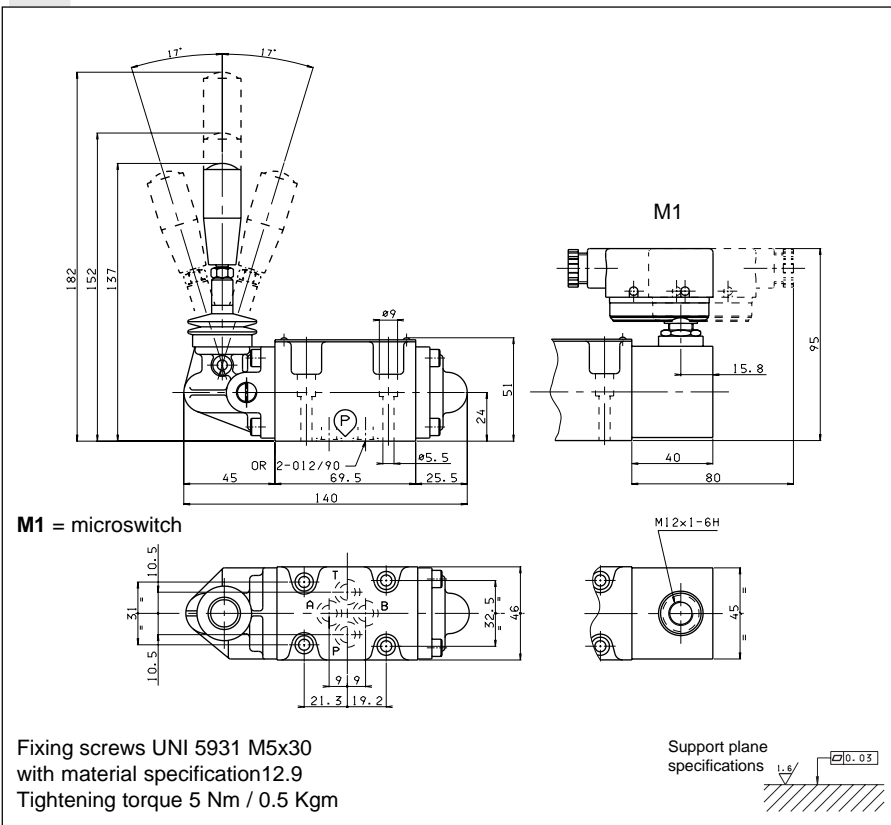
- For these valves spools are different from ones used on the other directional valves
- Available spools:  
01 / 02 / 03 / 04 / 05 / 06 / 66  
07 / 22 / 13 / 15 / 16 / 17

### TAB.2

#### MOUNTING TYPE



### OVERALL DIMENSIONS



### TABLE 3 - VARIANTS TABLE

VARIANTS	SIGLA (♦)
No variant	00
Viton	V1
Pre-set for microswitch (E / F mounting only) Available on request NATIONAL AM1107 type microswitch	M1 (♦)
Pre-set for microswitch + Viton	MV (♦)
With detent (mechanical connection) (Springs are different from those for standard versions)	D1 (♦)
Pre-set for microswitch + Detent	MD (♦)
Lever length 152 mm	L1
Lever length 182 mm	L2
♦ Variant codes stamped on the plate	