

QFB... IN LINE MOUNTING TWO-WAY FLOW CONTROL VALVES



QFB...

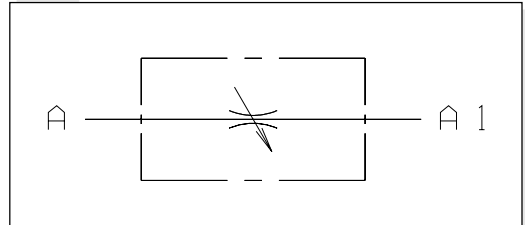
Two-way adjustable flow regulating type QFB.. allow flow in both directions. Their operation depends on the fluid pressure and viscosity.

Flow regulation is obtained by turning a knurled knob, which permits control of the flow rate via a graduated scale from which it can be read. The special needle configuration allows an easy and precise control.

The body of these valves is zinc yellow steel made, while the internal components are manufactured in heat-treated steel. Their particular construction permits both panel and in-line mounting.

Max. operating pressure	300 bar
Max. flow	85 l/min
Hydraulic fluid	Mineral oils DIN 51524
Fluid viscosity	2.8 ÷ 380 mm ² /s
Fluid temperature	-20°C ÷ 70°C
Max. contamination level	class 10 in accordance with NAS 1638 with filter $\beta_{25} \geq 75$
Weight	See table below

HYDRAULIC SYMBOL



ORDERING CODE

QFB

Two-way flow control valve

Size
07
10
13
19

G

Fixing ring nut (omit if not required)

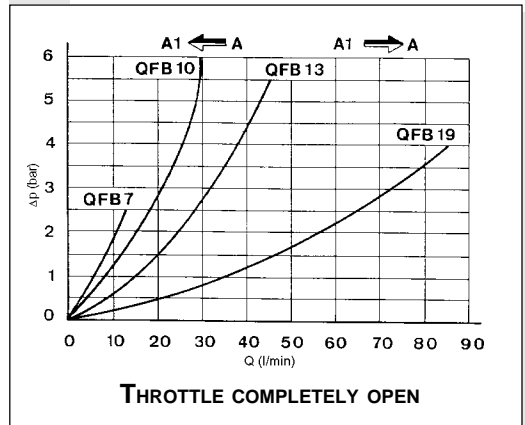
00

No variant

1

Serial No.

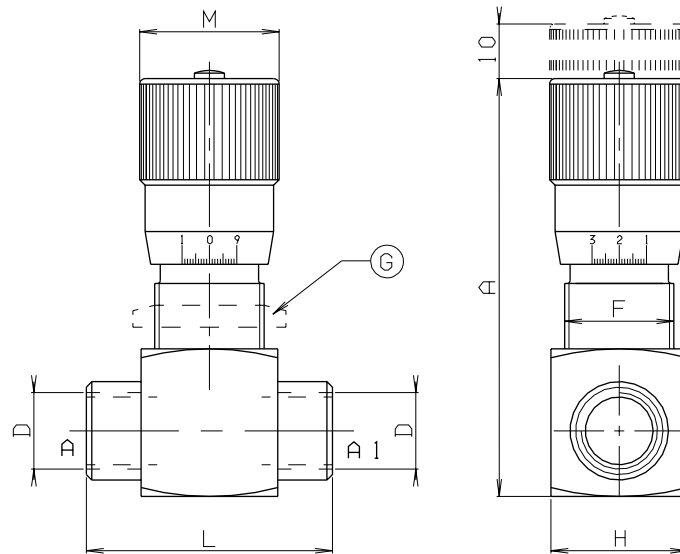
PRESSURE DROPS - FLOW



Test carried out with mineral based oil with a viscosity of 24 mm²/s at 50°C

OVERALL DIMENSIONS

G = Fixing ring nut on request



Valve type	Max flow (l/min)	Max. pressure (bar)	L	A	D	M	H	F	Weight (Kg)
QFB07	12	300	45	80	1/4"BSP	25	25	M20x1	0.21
QFB10	30	300	52	85	3/8"BSP	32	30	M25x1.5	0.35
QFB13	45	280	60	92	1/2"BSP	35	35	M30x1.5	0.50
QFB19	85	250	68	105	3/4"BSP	40	45	M35x1.5	0.87