

## MR... IN LINE MOUNTING PRESSURE GAUGE SHUT-OFF

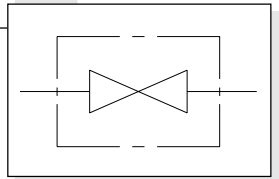


MR...

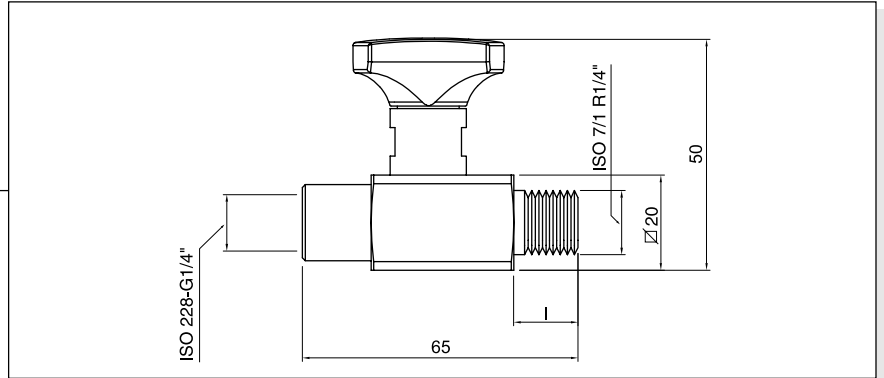
**MR.7... in line - MRA.7... at 90°** - This in-line mounting shut-off is completely steel made and allows for operating pressure of up to 400 bar. Its uses is essential to protect measuring gauge in the eventuality of fluid hammer.

**MRG.7... in line with revolving nut - MRAG.7... at 90° with revolving nut** - This in-line mounting shut-off is completely steel made and allows for operating pressure of up to 400 bar. It has been designed to allow for independent mounting of the measuring gauge aver a 360° angle, obviating in this way any problem relative to the gauge dimensions and mounting position. Its uses is essential to protect measuring gauge in the eventuality of fluid hammer.

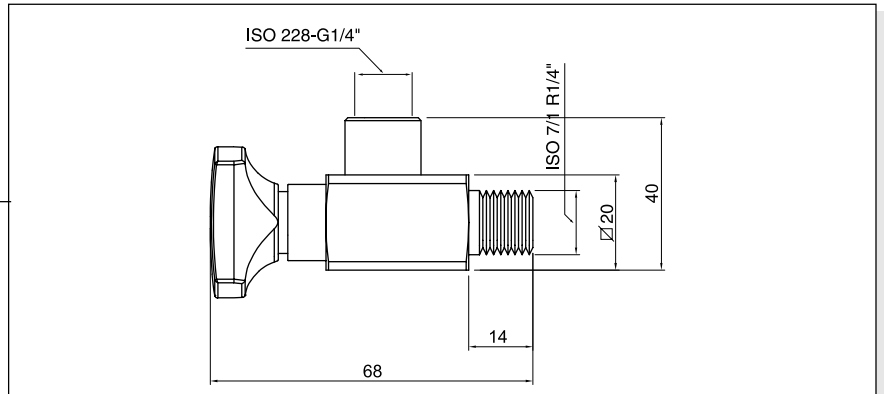
### HYDRAULIC SYMBOL



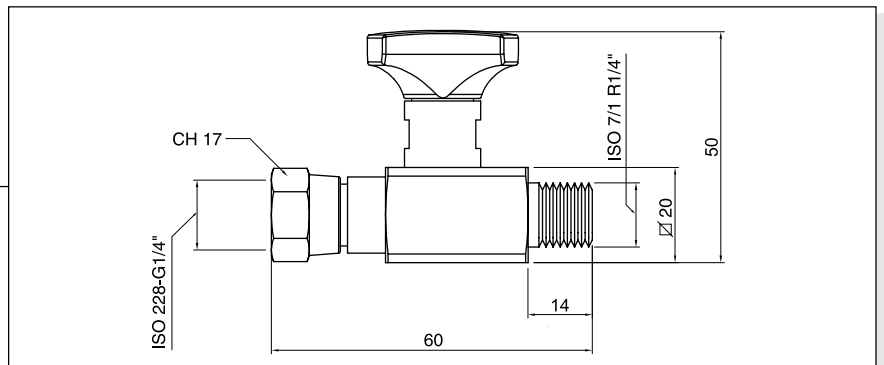
**Code MR.7.00.2 in line**  
P. max. 400 bar - Weight 0,115 Kg



**Code MRA.7.00.2 at 90°**  
P. max. 400 bar - Weight 0,13 Kg



**Code MRG.7.00.2 in line with revolving nut**  
P. max. 400 bar - Weight 0,12 Kg



**Code MRAG.7.00.2 at 90° with revolving nut**  
P. max. 400 bar - Weight 0,135 Kg

