


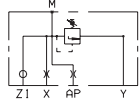
KEC.16.MP/UN/SL... WITH MAX. PRESSURE VALVE / EXCLUSION / SEQUENCING - IN LINE MOUNTING



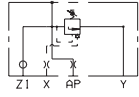
DIN STANDARD

Weight: 1,3 Kg
The covers are supplied with M8x35 UNI 5931 fixing screws and reference pins dia $\varnothing 3 \times 12$ UNI 6874-71

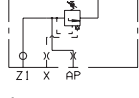
KEC.16.MP...

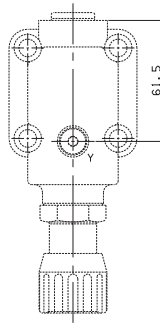
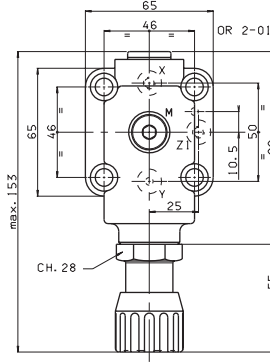
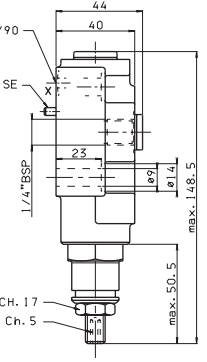


KEC.16.UN...




KEC.16.SL...



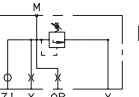
KEC.25.MP/UN/SL... WITH MAX. PRESSURE / EXCLUSION / SEQUENCING - IN LINE MOUNTING



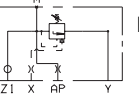
DIN STANDARD

Weight: 1,8 Kg
The covers are supplied with M12x45 UNI 5931 and reference pins dia $\varnothing 5 \times 12$ UNI 6874-71

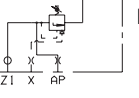
KEC.25.MP...

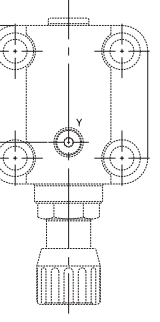
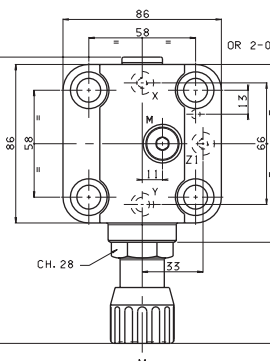
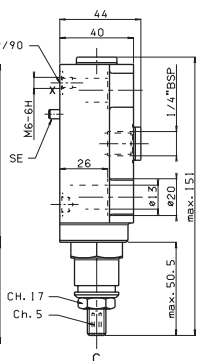


KEC.25.UN...




KEC.25.SL...



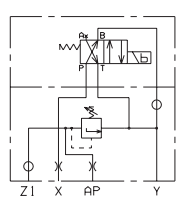
KEC.16.ME/UE WITH MAX. PRESSURE VALVE / EXCLUSION WITH INTERFACE CETOP 3 - IN LINE MOUNTING



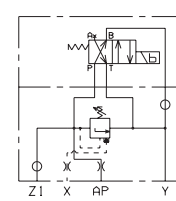
DIN STANDARD

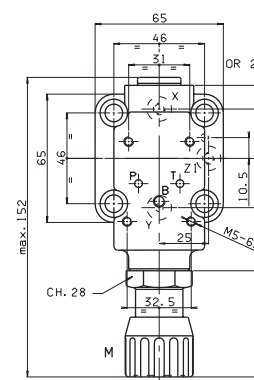
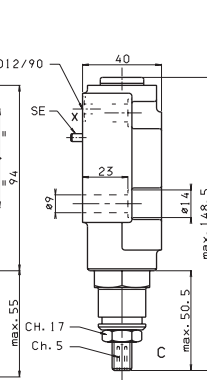
Weight: 1,3 Kg
The covers are supplied with M8x35 UNI 5931 fixing screws and reference pins dia $\varnothing 3 \times 12$ UNI 6874-71

KEC.16.ME...




KEC.16.UE...



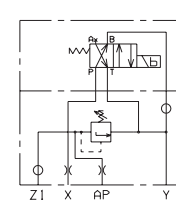
KEC.25.ME/UE WITH MAX. PRESSURE VALVE / EXCLUSION WITH INTERFACE CETOP 3 - IN LINE MOUNTING



DIN STANDARD

Weight: 1,8 Kg
The covers are supplied with M12x45 UNI 5931 fixing screws and reference pins dia $\varnothing 5 \times 12$ UNI 6874-71

KEC.25.ME...



KEC.25.UE...

