

## CMP.06... DIRECT OPERATION MAXIMUM PRESSURE VALVES



CMP.06...

These direct action valves offer 2 important operational safety features for the system in which they are used:

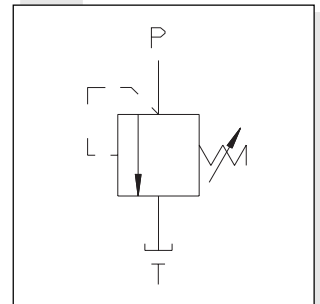
- 1) impossibility for the user to set pressure values higher than those specified in the catalogue by means of a mechanical stop (it is impossible to compress the spring completely)
- 2) Another internal mechanical stop prevents temporary closing of the P line because of peacks of pressure.

Max. operating pressure	290 bar	
Setting ranges	Spring 1	max. 30 bar
	Spring 2	max. 90 bar
	Spring 3	max. 290 bar
Max. flow	30 l/min	
Hydraulic fluids	Mineral oils DIN 51524	
Fluid viscosity	10 ÷ 500 mm <sup>2</sup> /s	
Fluid temperature	-25°C ÷ 75°C	
Ambient temperature	-25°C ÷ 60°C	
Max. contamination level	class 10 in accordance with NAS 1638 with filter β <sub>25</sub> ≥ 75	
Weight	0,17 Kg	
Tightening torque	35 ÷ 40 Nm (3.5 ÷ 4 Kgm)	
• The minimum permissible setting pressure depending on the spring: see curves below		

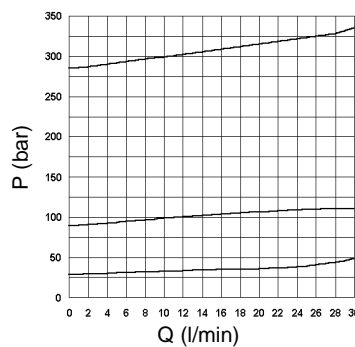
### ORDERING CODE

<b>CMP</b>	Max. pressure cartridge
<b>06</b>	Size
<b>*</b>	Type of adjustment <b>M</b> = Plastic knob <b>C</b> = Grub screw <b>V</b> = Handwheel
<b>*</b>	Setting ranges <b>1</b> = max. 30 bar ( <b>white spring</b> ) <b>2</b> = max. 90 bar ( <b>yellow spring</b> ) <b>3</b> = max. 290 bar ( <b>green spring</b> )
<b>**</b>	<b>00</b> = No variant <b>V1</b> = Viton
<b>4</b>	Serial No.

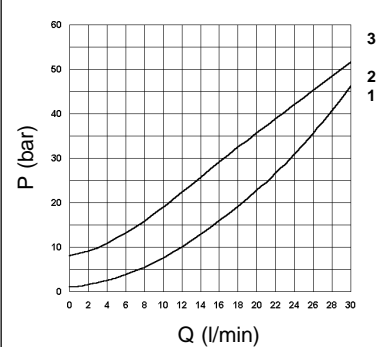
### HYDRAULIC SYMBOL



### PRESSURE - FLOW



### MINIMUM SETTING PRESSURE



### OVERALL DIMENSIONS

### SEAT DIMENSIONS

Type of adjustment

**M** Plastic knob

**C** Grub screw

**V** Handwheel

Valve seat plug code **R78.30.0562**